



## Features:

- 3 Ø (True rms) Voltage
- 3 Ø (True rms) Current
- 3 Ø Power Factor
- 3 Ø Power (Active, Reactive, Apparent)
- Energy (Active, Reactive, Apparent)
- Frequency
- Password Protection
- CT, PT Primary/Secondary Programmable
- Modbus RTU Communication (RS485)
- Max / Min Demand (Power)

Certifications: **CE**

## Technical Specifications

### Display

|                |  |
|----------------|--|
| Display        | 3 row, Liquid Crystal Display with backlight |
| Digit          | Row 1 of 4 digits<br>Row 2 and 3 of 7 digits |
| LED Indication | Integration of energy                        |

### Input Specifications

|                       |   |
|-----------------------|---|
| Electrical Connection | 1Ø - 2 wire, 3Ø - 3wire, 3Ø - 4 wire  |
| Input Voltage Range   | 19 to 519V AC, (Phase to Phase)<br>11 to 300V AC, (Phase to Neutral)  |
| Frequency             | 45Hz - 65Hz   |
| Measuring Parameters  | Voltage (L-L / L-N) (Individual / Average)<br>Current (I1, I2, I3) (Individual / Average)<br>Frequency, Power Factor (Individual /Average) Active, Reactive & Apparent power (Individual/ Total), Active, Reactive (Import / Export) & Apparent Energy, Demand (Min / Max Active Power, Min / Max Reactive Power, Max Apparent Power) |
| Display Reset         | Programmable (for energy)   |
| Resolution            | For energy: 0.01k,0. 1k,1K,0.01M,0.1M,1M (depending upon CT ratio X PT ratio)<br>For Power, Voltage, Current: Auto resolution<br>For Power factor: 0.01<br>Frequency: 0.1Hz   |
| Accuracy              | Voltage (L-N / L-L), Current: ±0.5% of full range<br><br>Power factor: ±0.01 of full range<br>Frequency: ±0.1% of full range (For V>20 L-N, V>35 L-L)<br>Power (kW, kVA, kVA): 1% of full range<br>Energy (Active , Reactive, Apparent): 1% of full range   |
| Memory Retention      | 10 years (for energy)   |
| Overload Rating       | 20% continuous over load and able to withstanding 20 times the normal current rating for a period one second.<br><br>Accept input voltages upto 120% of the nominal voltage.  |
| Power Consumption     | 8VA Max   |

### Output Specifications

|               |   |
|---------------|---|
| Communication | RS485 MODBUS RTU Communication in Multi-drop mode |
|---------------|---|

### Supply Specifications

|           |   |
|-----------|---|
| Auxiliary | 85 to 270V AC (50/60Hz)   |
| Isolation | I/P, O/P and Aux. circuits isolated from each other and earth ground. |

### Resettable Parameters

|               |   |
|---------------|---|
| C.T Primary   | 5A to 10,000A (Programmable for any value)      |
| C.T Secondary | 1A / 5A   |
| P.T Primary   | 100V to 500kV (Programmable for any value)      |
| P.T Secondary | 100V to 500V (L-L) (Programmable for any value) |

### Environmental Specifications

|                           |   |
|---------------------------|---|
| Temperature               | Operating Temperature: -5 to +60° C<br>Storage Temperature: -20 to +75° C |
| Humidity (non-condensing) | Upto 85% RH   |

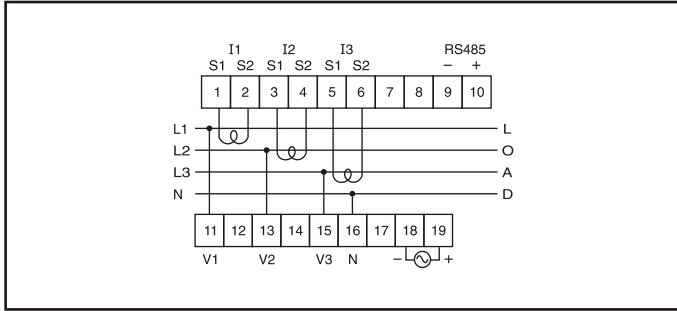
### Mechanical Specifications

|          |          |
|----------|----------|
| Mounting | Din Rail |
|----------|----------|

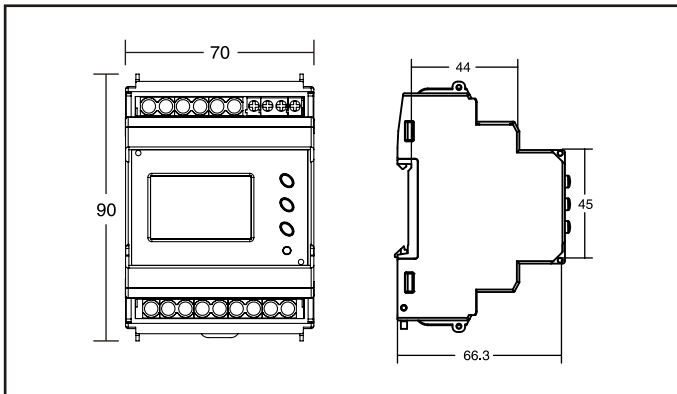
### Terminal Specifications

|    |                           |
|----|---------------------------|
| PT | Two 2.5 sq mm / 4.0 sq mm |
| CT | Two 2.5 sq mm / 4.0 sq mm |

### Terminal Connections



### Dimensions (All dimensions are in mm)



### Ordering Information

| Part No.   | Supply Voltage | Output        |
|------------|----------------|---------------|
|            |                | Commn (RS485) |
| MFM384-R-C | 85 to 270V AC  | ■             |